

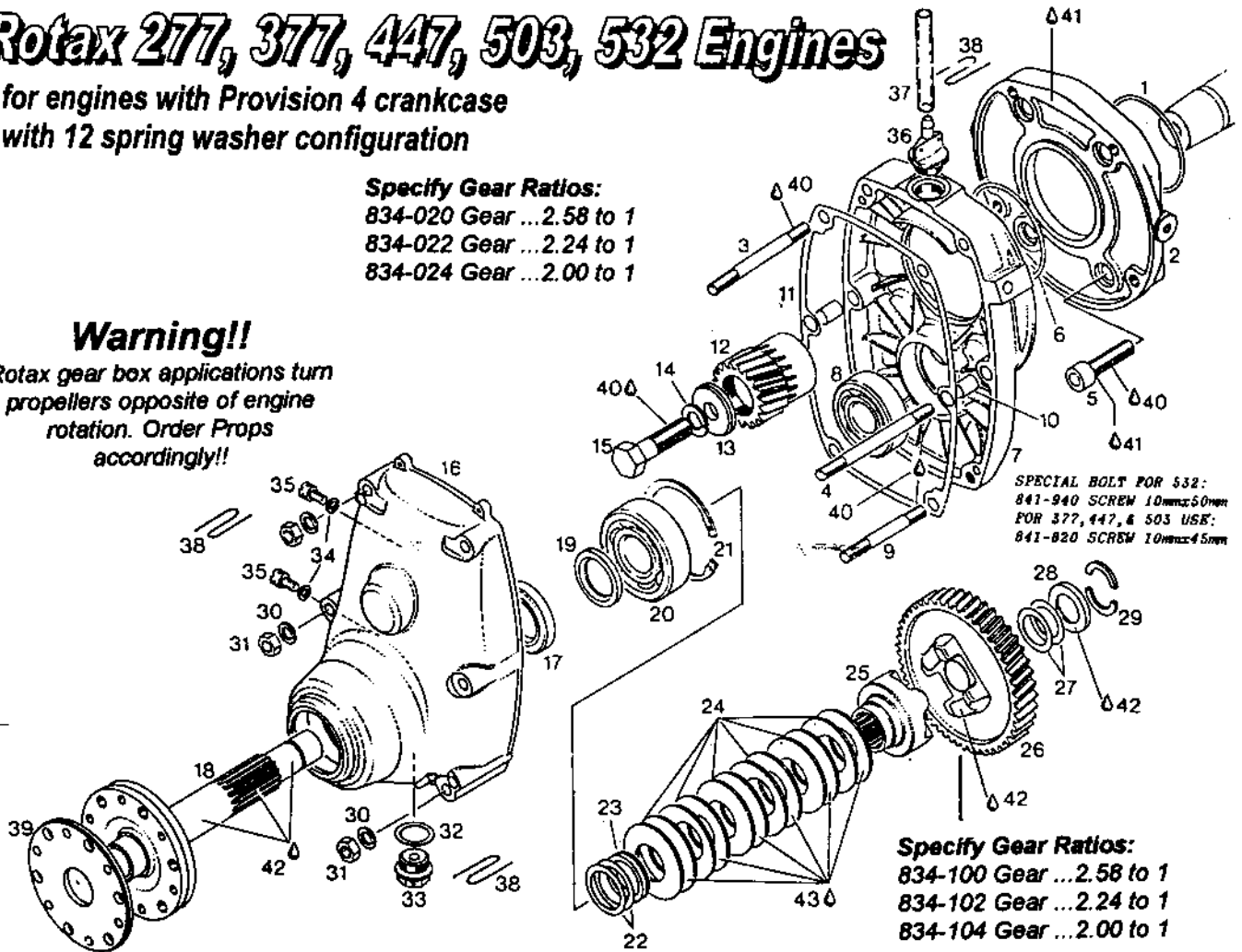
# Rotax 277, 377, 447, 503, 532 Engines

- for engines with Provision 4 crankcase
- with 12 spring washer configuration

**Specify Gear Ratios:**  
 834-020 Gear ...2.58 to 1  
 834-022 Gear ...2.24 to 1  
 834-024 Gear ...2.00 to 1

## Warning!!

Rotax gear box applications turn propellers opposite of engine rotation. Order Props accordingly!!



**SPECIAL BOLT FOR 532:**  
 841-940 SCREW 10mmx50mm  
 FOR 377, 447, & 503 USE:  
 841-820 SCREW 10mmx45mm

**Specify Gear Ratios:**  
 834-100 Gear ...2.58 to 1  
 834-102 Gear ...2.24 to 1  
 834-104 Gear ...2.00 to 1

No.	Part #	Description	Qty.	No.	Part #	Description	Qty.
1	850-430	O-ring	1	22	944-470	Shim 0.2	Req.
2	910-505	Adapter	1	23	847-620	Distance Ring	1
3	841-901	Stud 8 x 91	2	24	939-020	Disc Spring	12
4	841-911	Stud 8x103	2	25	958-770	Dog Hub	1
5	841-940	Screw 10x50 532	4	26	834-100	Dog Gear 2.58 49T	1
	841-820	Screw 10x45 503	4	27	834-102	Dog Gear 2.24 47T	1
6	850-360	O-ring	1	28	834-104	Dog Gear 2.00 40T	1
7	910-911	Gear Housing	1	29	944-469	Thrust Washer	2
8	932-091	Bearing	1	30	827-840	Angular Ring	1
9	841-881	Stud 8x75	2	31	827-860	Ring Half	2
10	929-670	Dowel	2	32	945-752	Lockwasher 8mm	6
11	930-532	Gasket	1	33	242-201	Nut 8mm	6
12	834-020	Gear 2.58 19T	1	34	552-280	Gasket Ring	1
	834-022	Gear 2.24 21T	1	35	840-270	Magnetic Plug	1
	834-024	Gear 2.00 20T	1	36	830-890	Gasket Ring	2
13	827-785	Washer	1	37	841-781	Screw 6 x 10	2
14	945-766	Lockwasher	1	38	241-925	Air Vent Screw	1
15	841-656	Screw 1/2-20x50	1	39	974-532	Vent Line	1
16	910-371	Gear Cover	1		827-830	Cover Washer	1
17	850-055	Oil Seal	1				
18	837-025	Shaft	1				
19	827-850	Distance Ring	1				
20	932-820	Bearing	1				
21	445-070	Snap Ring	1				
						40	Loctite 221.....Req.
						41	Loctite 290.....Req.

Source: gba

## SAE 90 Gear Box Oil

GL-5 API gear oil anti-foaming formula is specially designed for Rotax gearboxes. Available in 32 oz. quart bottles (enough for "B", "C", or "E" gearboxes). Sent free of charge with all Gearboxes purchased from CPS. Part #15423...\$4.95

POWERED by  
**ROTAX**