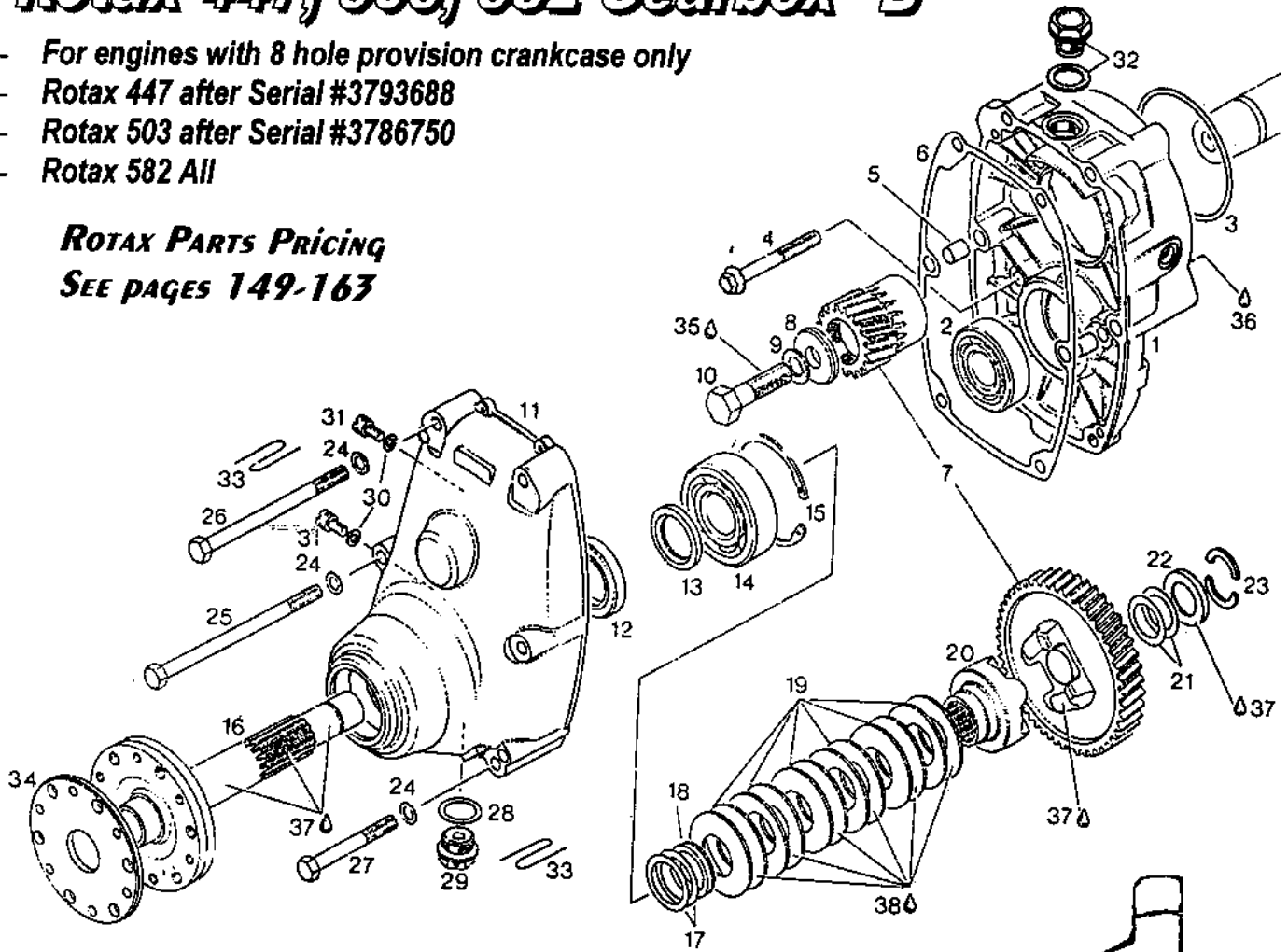


Rotax 447, 503, 582 Gearbox "B"

- For engines with 8 hole provision crankcase only
- Rotax 447 after Serial #3793688
- Rotax 503 after Serial #3786750
- Rotax 582 All

ROTAX PARTS PRICING
SEE PAGES 149-163



Ref Part#	Description	Qty
1	810-107 Gear Housing	1
2	932-091 Ball Bearing 6304	1
3	850-430 O-Ring	2
4	841-306 Hex. Collar Screw 8x65mm	2
5	929-670 Dowel 10x13	2
6	930-535 Gasket	1
7	886-200 Gear Set 2.58	1
7	826-202 Gear Set 2.24	1
7	886-204 Gear Set 2.00	1
8	827-785 Washer	1
9	945-766 Lock Washer 13	1
10	841-656 Hex. Screw	1
11	910-372 Gear Cover	1
12	850-055 Oil Seal 30x47x77.5	1
13	827-850 Distance Ring	1
14	932-820 Ball Bearing	1
15	445-070 Snapping 62x2	1
16	937-025 Propeller Shaft	1
17	944-470 Shim 25.5~34/0.2	as req.
17	944-472 Shim	As Req.
17	944-473 Shim 25.5i34/1	As Req.

17	944-474 Shim	As Req.
18	847-620 Distance Ring	1
19	939-020 Disk Spring 550	12
20	958-770 Dog Hub	1
21	944-469 Thrust Washer	2
22	827-840 Angular	1
23	827-860 Ring Half	2
24	945-752 Lock Washer 8mm	6
25	941-350 Hex Screw 8x125	2
26	941-171 Hex Screw 8x110	2
27	841-301 Hex Screw 8x65	2
26	552-280 Gasket Ring	1
29	840-270 Magnetic Plug 18x1.5	1
30	830-890 Gasket Ring 6.218.9/1	2
31	841-781 Capstan Screw 6x10	2
32	941-110 Air Vent Screw	1
33	6125 Safety wire	
34	827-830 Cover Washer	1
35	#13005 Lockite 221 Violet	As Req.
36	#13011 Lockite 648 Green	As Req.
37	#9552 Lockite Anti Seize	As Req.

Rotax b box parts



SAE 90 Gear Box Oil

GL-5 API gear oil anti-foaming formula is specially designed for Rotax gearboxes. Available in 32 oz. quart bottles (enough for "B", "C", or "E" gearboxes). Sent free of charge with all Gearboxes purchased from CPS.
Part #15423... \$4.95