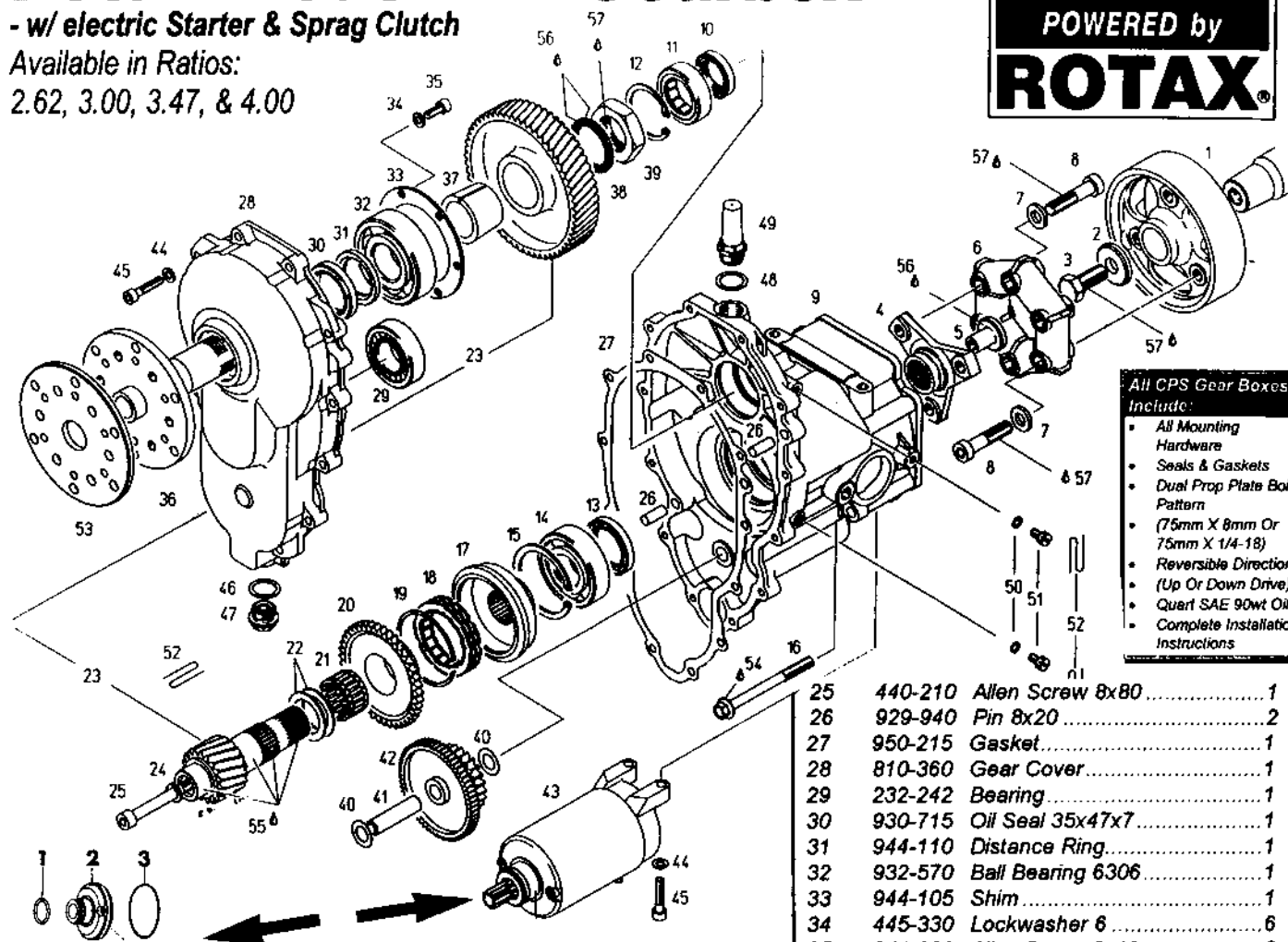


Rotax Model "E" Gearbox

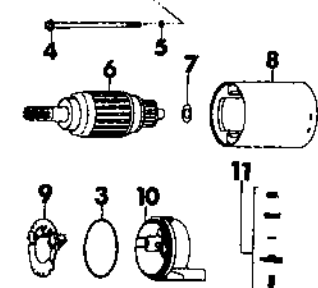
- w/ electric Starter & Sprag Clutch

Available in Ratios:
2.62, 3.00, 3.47, & 4.00



All CPS Gear Boxes Include:

- All Mounting Hardware
- Seals & Gaskets
- Dual Prop Plate Bolt Pattern
- (75mm X 8mm Or 75mm X 1/4-18)
- Reversible Direction (Up Or Down Drive)
- Quart SAE 90wt Oil
- Complete Installation Instructions



Starter Motor Parts

No.	Part #	Description	Qty.
1-11	293-153	Starter Motor Assy.	1
1	250-140	Ring	1
2	264-137	Front Housing	1
3	850-500	O-Ring	1
4	241-137	Bolt	2
5	850-510	Washer	2
6	264-142	Armature	1
7	827-600	Shim	1
8	264-151	Starter Housing	1
9	866-891	Brush Holder	1
10	264-172	End Housing	1
11	264-184	Brush Bolt	1

Ref.	Part #	Description	Qty.
1	958-980	Flywheel	1
2	827-785	Washer	1
3	841-851	Hex Screw 1/2-20 UNF x30	1
4	958-970	Coupling Flange	1
5	842-660	Nut 8mm	1
6	958-960	Rubber Coupling	1
7	944-120	Washer	6
8	841-820	Allen Screw 10x45	6
9	810-350	Gearbox Housing	1
10	930-675	Oil Seal 25x38x7	1
11	232-285	Roller Bearing	1
12	945-690	Retaining Ring	1
13	950-085	Oil Seal 32x47x7	1
14	932-820	Ball Bearing	1
15	445-070	Retaining Ring	1
16	440-366	Screw 8x90 (torque 29 ft.lbs)	8
17	852-430	Sprag Clutch Housing	1
18	259-077	Sprag Clutch	1
19	245-620	Snap Ring 62	1
20	834-280	Free Wheel Gear 42t	1
21	832-410	Needle Cage	1
22	427-235	Thrust Washer	req.
23	886-750	2.62 Gear Set (replace both gears)	1
23	886-752	3.00 Gear Set (replace both gears)	1
23	886-754	3.47 Gear Set (replace both gears)	1
23	886-756	4.00 Gear Set (replace both gears)	1
24	845-310	Lockwasher	1

25	440-210	Allen Screw 8x80	1
26	929-940	Pin 8x20	2
27	950-215	Gasket	1
28	810-360	Gear Cover	1
29	232-242	Bearing	1
30	930-715	Oil Seal 35x47x7	1
31	944-110	Distance Ring	1
32	932-570	Ball Bearing 6306	1
33	944-105	Shim	1
34	445-330	Lockwasher 6	6
35	241-236	Allen Screw 6x16	6
36	837-182	Propshaft	1
37	847-755	Split Cone Sleeve	1
38	845-430	Friction Washer	1
39	842-575	Hex Nut M30x1.5 LH (Torque to 220 ft. lbs)	1
40	227-450	Thrust Washer	2
41	837-300	Idle Gear Shaft	1
42	834-290	Idle Gear 62/25	1
43	293-153	Electric Starter Assy	1
44	945-751	Lockwasher 6mm	14
45	840-880	Allen Screw 6x30	14
46	552-280	Gasket Ring	1
47	840-270	Magnetic Plug	1
48	931-200	Gasket Ring	1
49	941-110	Air Vent Screw	1
50	830-890	Gasket Ring	2
51	841-781	Capstan Screw 6x10	2
52	6126	Safety Wire	req.
53	944-140	Cover Washer	1
54	9558	Lithium Grease	req.
55	9552	Anti-Seize	req.
56	13011	290 Green Loctite	req.
57	13005	222 Violet Loctite	req.
58		Silastic 732 RTV	req.

source: 618ahox